

# AluCell 20 liter (5.28 gallons)

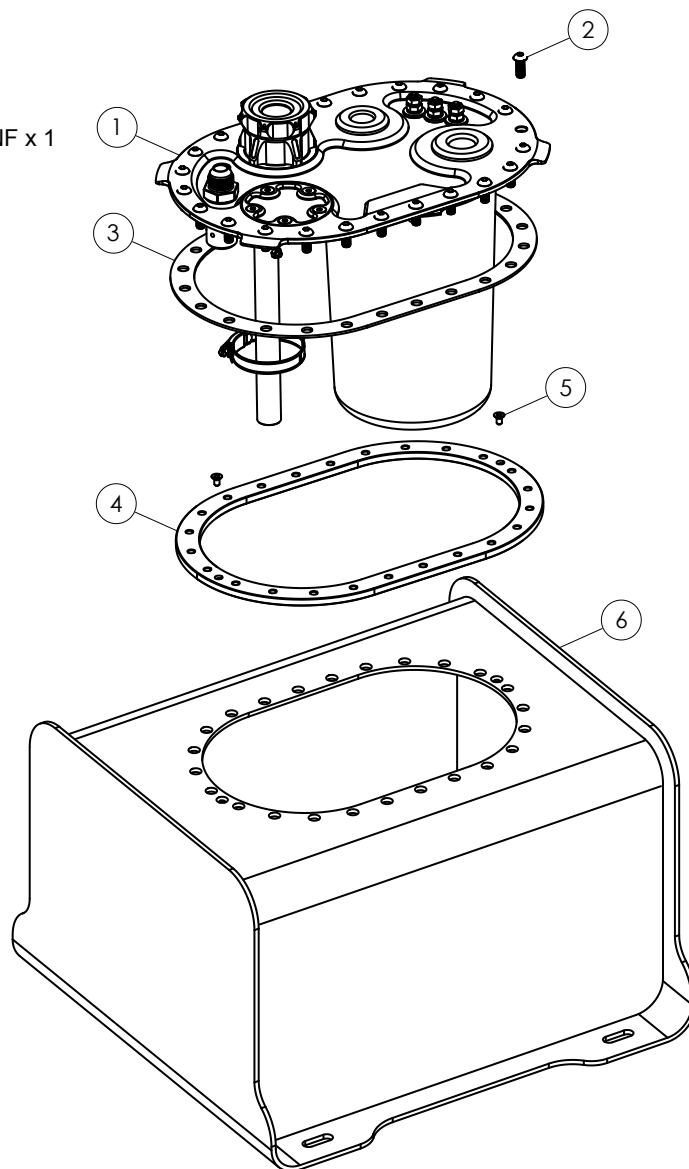
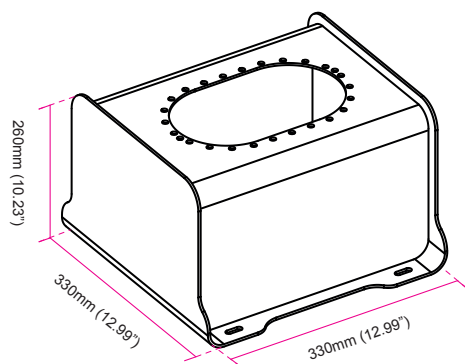
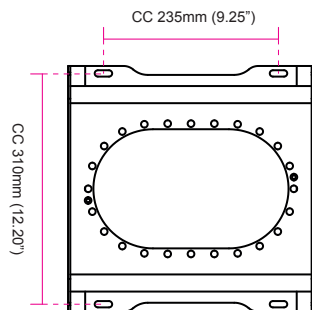
Part # 150-07-021 / 150-07-121 (brushless fuel pump version)

Assembly Instructions | © Nuke Performance AB 2024

For more information visit : [www.nukeperformance.com](http://www.nukeperformance.com)

- 1** CFC Unit - version depending on SKU \*  
Part # 150-05-201 / 150-05-204
- 2** 24 stainless steel bolts and nylon washers, 1/4-28 UNF x 1  
Part # 150-10-118
- 3** Viton gasket for 24 bolt pattern fuel cells  
Part # 150-05-301
- 4** Aluminum mounting flange 6x10" 24 bolt pattern \*\*  
Part # 150-05-300 / Thread size : 1/4-28 UNF x 1
- 5** 2 x MF6S M4x10
- 6** AluCell 20 liter (5.28 gallons) aluminum container

- \* 150-07-061 is delivered with Low profile CFC Unit  
150-07-161 is delivered with CFC Unit for brushless fuel pumps
- \*\* Flange mounts from the inside of the container



## Nuke Performance AluCell 20liter specifications

For more information about specifications, visit our product page on our website.

Nuke Performance : [www.nukeperformance.com](http://www.nukeperformance.com)



<b>Fuel capacity</b>	20 liter (5.28 gallons)	<b>Weight</b>	6830g (15.05lb) *
<b>Fuel compatibility</b>	Gasoline, Methanol, Ethanol, E85, E100	<b>Material</b>	Corrosion resistance aluminum 5083 H111
<b>For motorsports use</b>	YES	<b>Material thickness</b>	3mm (0.12")
<b>Homologation</b>	NO	<b>Finish</b>	Powder coated externals
<b>Length</b>	330mm (12.99")	<b>Level sender size</b>	228mm / 9" (150-FLS-09)
<b>Depth</b>	330mm (12.99")	<b>Standard version</b>	150-07-021 / 7340209500349
<b>Height</b>	260mm (10.23")	<b>Brushless version</b>	150-07-121 / 7340209505467

\* Including the low profile CFC Unit, the brushless version weighs 320g (0.70lb) more



INCORRECT INSTALLATION CAN CAUSE SERIOUS DAMAGE TO THE PRODUCT AND VEHICLE. AS A RESULT, ACCIDENTS, PROPERTY DAMAGE, AND PERSONAL INJURY ARE POSSIBLE. INSTALLATION MAY ONLY BE CARRIED OUT BY EXPERTS. MAKE SURE TO ALWAYS USE ALL NECESSARY SAFETY EQUIPMENT. THE MANUFACTURER IS NOT LIABLE FOR DAMAGE CAUSED BY IMPROPER INSTALLATION.



### Information:

Design combined with top quality performance.  
For more information about the products and retailers visit  
[www.nukeperformance.com](http://www.nukeperformance.com)

**nuke**  
PERFORMANCE

# AluCell 40 liter (10.56 gallons)

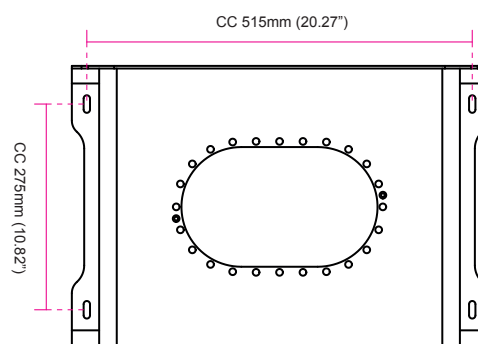
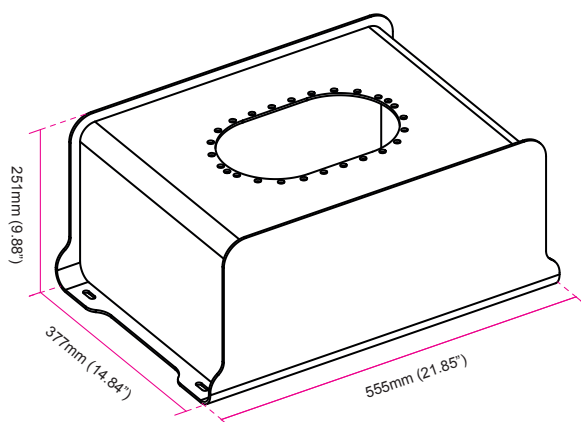
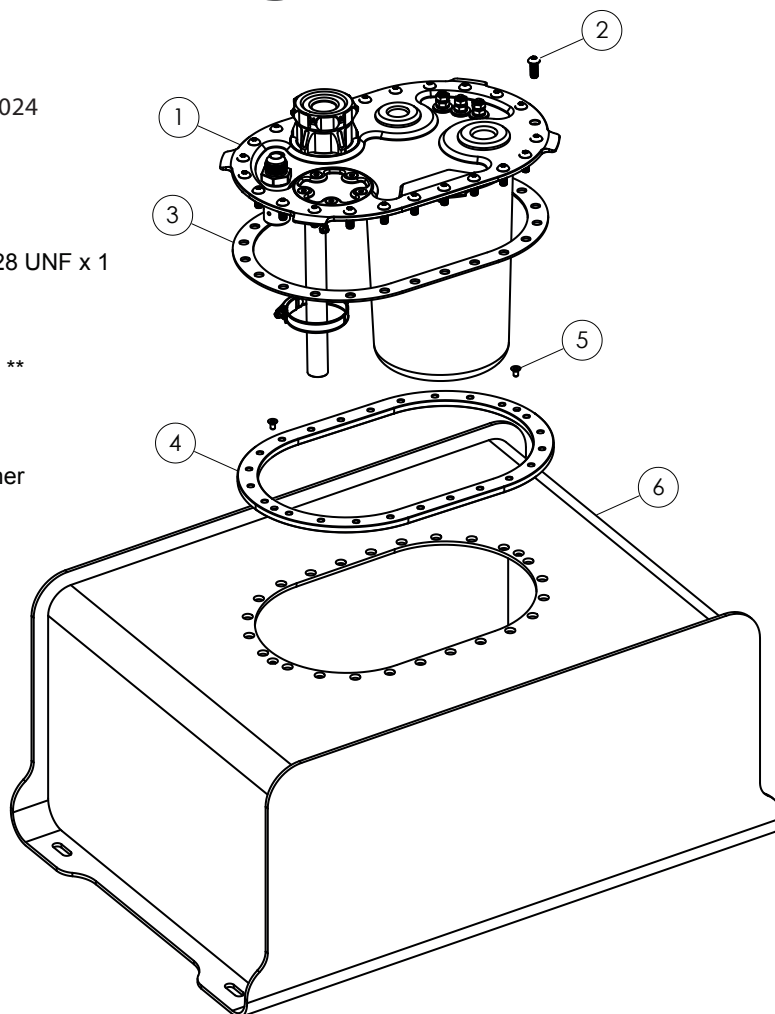
Part # 150-07-041 / 150-07-141 (brushless fuel pump version)

Assembly Instructions | © Nuke Performance AB 2024

For more information visit : [www.nukeperformance.com](http://www.nukeperformance.com)

- 1** CFC Unit - version depending on SKU \*  
Part # 150-05-201 / 150-05-204
- 2** 24 stainless steel bolts and nylon washers, 1/4-28 UNF x 1  
Part # 150-10-118
- 3** Viton gasket for 24 bolt pattern fuel cells  
Part # 150-05-301
- 4** Aluminum mounting flange 6x10" 24 bolt pattern \*\*  
Part # 150-05-300 / Thread size : 1/4-28 UNF x 1
- 5** 2 x MF6S M4x10
- 6** AluCell 40 liter (10.56 gallons) aluminum container

\* 150-07-061 is delivered with Low profile CFC Unit  
150-07-161 is delivered with CFC Unit for brushless fuel pumps  
\*\* Flange mounts from the inside of the container



## Nuke Performance AluCell 40liter specifications

For more information about specifications, visit our product page on our website.

Nuke Performance : [www.nukeperformance.com](http://www.nukeperformance.com)



<b>Fuel capacity</b>	40 liter (10.56 gallons)	<b>Weight</b>	9050g (19.95lb) *
<b>Fuel compatibility</b>	Gasoline, Methanol, Ethanol, E85, E100	<b>Material</b>	Corrosion resistance aluminum 5083 H111
<b>For motorsports use</b>	YES	<b>Material thickness</b>	3mm (0.12")
<b>Homologation</b>	NO	<b>Finish</b>	Powder coated externals
<b>Length</b>	555mm (21.85")	<b>Level sender size</b>	228mm / 9" (150-FLS-09)
<b>Depth</b>	377mm (14.84")	<b>Standard version</b>	150-07-041 / 7340209500356
<b>Height</b>	251mm (9.88")	<b>Brushless version</b>	150-07-141 / 7340209505474

\* Including the low profile CFC Unit, the brushless version weighs 320g (0.70lb) more



INCORRECT INSTALLATION CAN CAUSE SERIOUS DAMAGE TO THE PRODUCT AND VEHICLE. AS A RESULT, ACCIDENTS, PROPERTY DAMAGE, AND PERSONAL INJURY ARE POSSIBLE. INSTALLATION MAY ONLY BE CARRIED OUT BY EXPERTS. MAKE SURE TO ALWAYS USE ALL NECESSARY SAFETY EQUIPMENT. THE MANUFACTURER IS NOT LIABLE FOR DAMAGE CAUSED BY IMPROPER INSTALLATION.



### Information:

Design combined with top quality performance.  
For more information about the products and retailers visit  
[www.nukeperformance.com](http://www.nukeperformance.com)

**nuke**  
PERFORMANCE

# AluCell 60 liter (15.85 gallons)

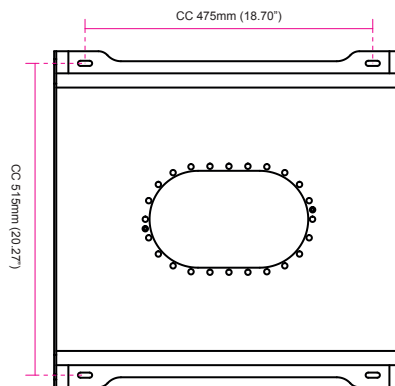
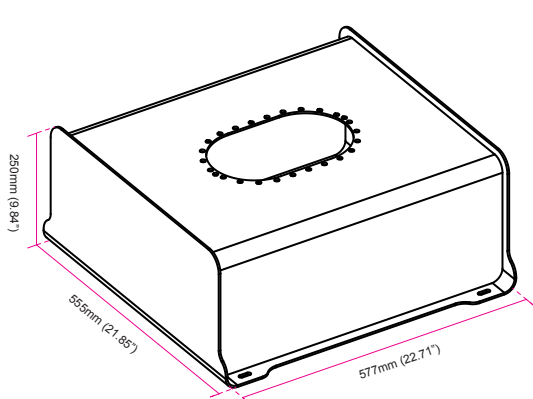
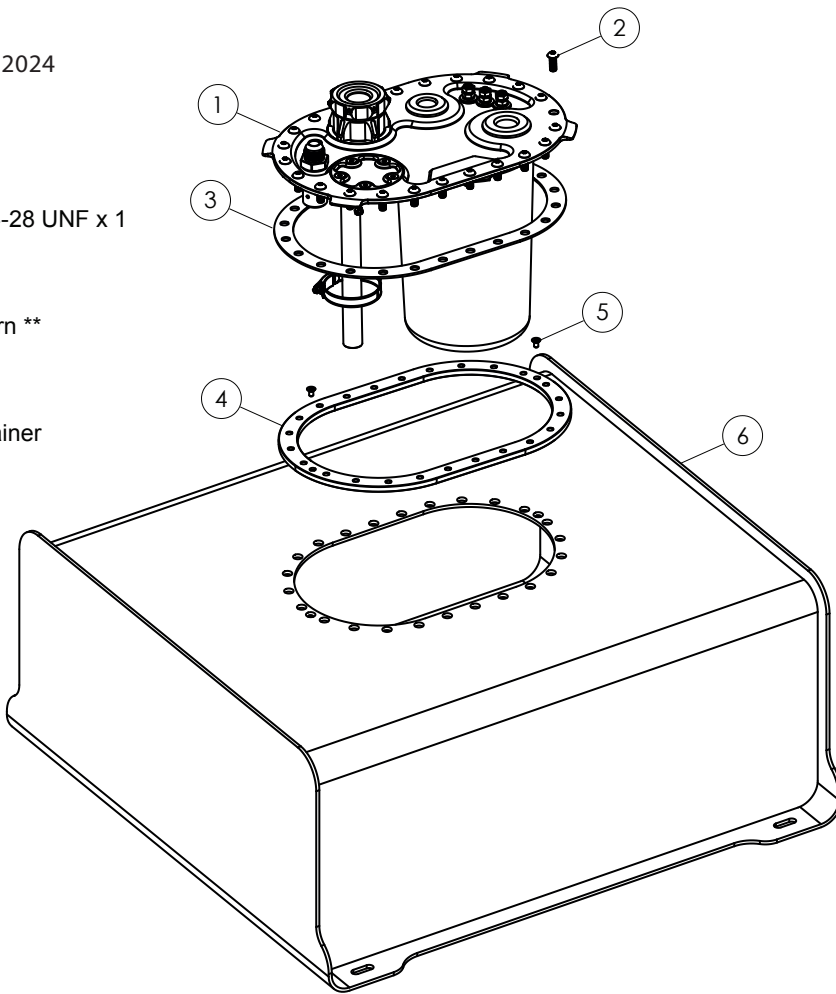
Part # 150-07-061 / 150-07-161 (brushless fuel pump version)

Assembly Instructions | © Nuke Performance AB 2024

For more information visit : [www.nukeperformance.com](http://www.nukeperformance.com)

- 1** CFC Unit - version depending on SKU \*  
Part # 150-05-201 / 150-05-204
- 2** 24 stainless steel bolts and nylon washers, 1/4-28 UNF x 1  
Part # 150-10-118
- 3** Viton gasket for 24 bolt pattern fuel cells  
Part # 150-05-301
- 4** Aluminum mounting flange 6x10" 24 bolt pattern \*\*  
Part # 150-05-300 / Thread size : 1/4-28 UNF x 1
- 5** 2 x MF6S M4x10
- 6** AluCell 60 liter (15.85 gallons) aluminum container

\* 150-07-061 is delivered with Low profile CFC Unit  
150-07-161 is delivered with CFC Unit for brushless fuel pumps  
\*\* Flange mounts from the inside of the container



## Nuke Performance AluCell 60liter specifications

For more information about specifications, visit our product page on our website.

Nuke Performance : [www.nukeperformance.com](http://www.nukeperformance.com)



<b>Fuel capacity</b>	60 liter (15.85 gallons)	<b>Weight</b>	11950g (26.34lb) *
<b>Fuel compatibility</b>	Gasoline, Methanol, Ethanol, E85, E100	<b>Material</b>	Corrosion resistance aluminum 5083 H111
<b>For motorsports use</b>	YES	<b>Material thickness</b>	3mm (0.12")
<b>Homologation</b>	NO	<b>Finish</b>	Powder coated externals
<b>Length</b>	577mm (22.71")	<b>Level sender size</b>	228mm / 9" (150-FLS-09)
<b>Depth</b>	555mm (21.85")	<b>Standard version</b>	150-07-061 / 7340209500363
<b>Height</b>	250mm (9.84")	<b>Brushless version</b>	150-07-161 / 7340209505481

\* Including the low profile CFC Unit, the brushless version weighs 320g (0.70lb) more



INCORRECT INSTALLATION CAN CAUSE SERIOUS DAMAGE TO THE PRODUCT AND VEHICLE. AS A RESULT, ACCIDENTS, PROPERTY DAMAGE, AND PERSONAL INJURY ARE POSSIBLE. INSTALLATION MAY ONLY BE CARRIED OUT BY EXPERTS. MAKE SURE TO ALWAYS USE ALL NECESSARY SAFETY EQUIPMENT. THE MANUFACTURER IS NOT LIABLE FOR DAMAGE CAUSED BY IMPROPER INSTALLATION.



### Information:

Design combined with top quality performance.  
For more information about the products and retailers visit [www.nukeperformance.com](http://www.nukeperformance.com)

**nuke**  
PERFORMANCE

# AluCell 80 liter (21.13 gallons)

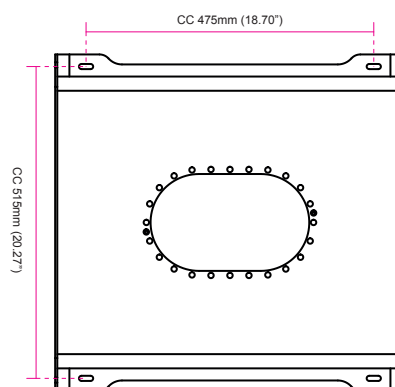
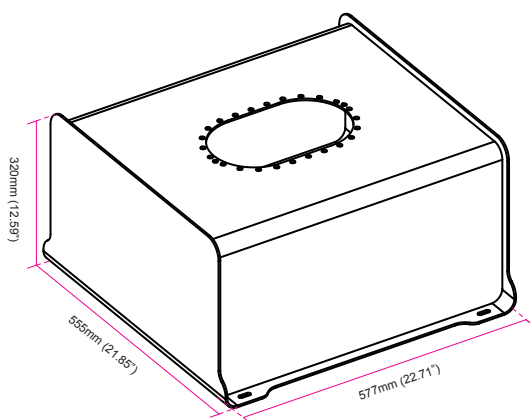
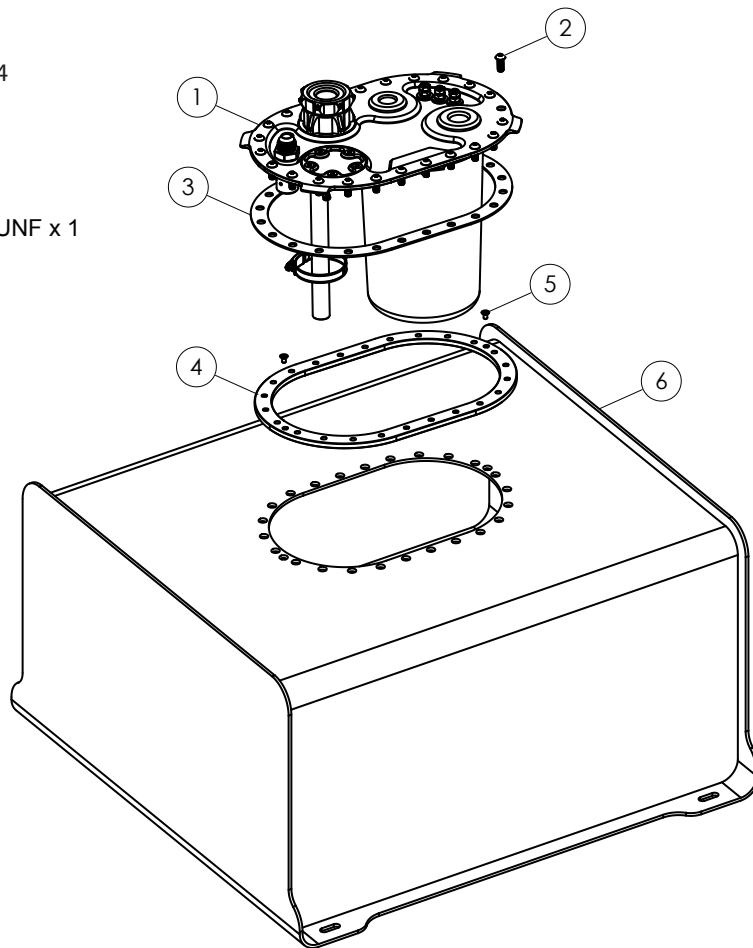
Part # 150-07-081 / 150-07-181 (brushless fuel pump version)

Assembly Instructions | © Nuke Performance AB 2024

For more information visit : [www.nukeperformance.com](http://www.nukeperformance.com)

- 1** CFC Unit - version depending on SKU \*  
Part # 150-05-201 / 150-05-204
- 2** 24 stainless steel bolts and nylon washers, 1/4-28 UNF x 1  
Part # 150-10-118
- 3** Viton gasket for 24 bolt pattern fuel cells  
Part # 150-05-301
- 4** Aluminum mounting flange 6x10" 24 bolt pattern \*\*  
Part # 150-05-300 / Thread size : 1/4-28 UNF x 1
- 5** 2 x MF6S M4x10
- 6** AluCell 80 liter (21.13 gallons) aluminum container

\* 150-07-061 is delivered with Low profile CFC Unit  
150-07-161 is delivered with CFC Unit for brushless fuel pumps  
\*\* Flange mounts from the inside of the container



## Nuke Performance AluCell 80liter specifications

For more information about specifications, visit our product page on our website.

Nuke Performance : [www.nukeperformance.com](http://www.nukeperformance.com)



<b>Fuel capacity</b>	80 liter (21.13 gallons)	<b>Weight</b>	13520g (29.80lb) *
<b>Fuel compatibility</b>	Gasoline, Methanol, Ethanol, E85, E100	<b>Material</b>	Corrosion resistance aluminum 5083 H111
<b>For motorsports use</b>	YES	<b>Material thickness</b>	3mm (0.12")
<b>Homologation</b>	NO	<b>Finish</b>	Powder coated externals
<b>Length</b>	577mm (22.71")	<b>Level sender size</b>	305mm / 12" (150-FLS-12)
<b>Depth</b>	555mm (21.85")	<b>Standard version</b>	150-07-081 / 7340209505498
<b>Height</b>	320mm (12.59")	<b>Brushless version</b>	150-07-181 / 7340209505504

\* Including the low profile CFC Unit, the brushless version weighs 320g (0.70lb) more



INCORRECT INSTALLATION CAN CAUSE SERIOUS DAMAGE TO THE PRODUCT AND VEHICLE. AS A RESULT, ACCIDENTS, PROPERTY DAMAGE, AND PERSONAL INJURY ARE POSSIBLE. INSTALLATION MAY ONLY BE CARRIED OUT BY EXPERTS. MAKE SURE TO ALWAYS USE ALL NECESSARY SAFETY EQUIPMENT. THE MANUFACTURER IS NOT LIABLE FOR DAMAGE CAUSED BY IMPROPER INSTALLATION.



### Information:

Design combined with top quality performance.  
For more information about the products and retailers visit  
[www.nukeperformance.com](http://www.nukeperformance.com)

**nuke**  
PERFORMANCE

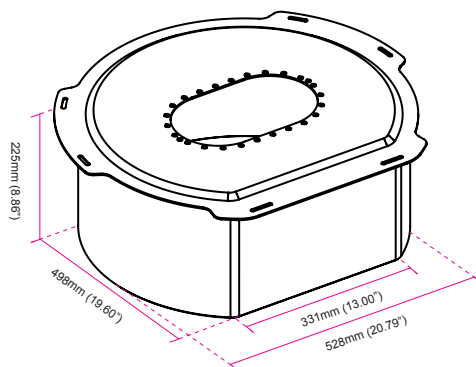
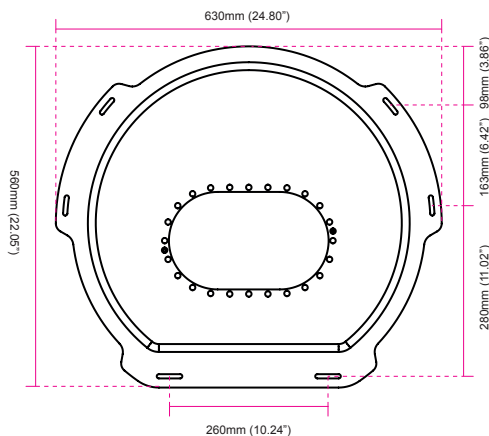
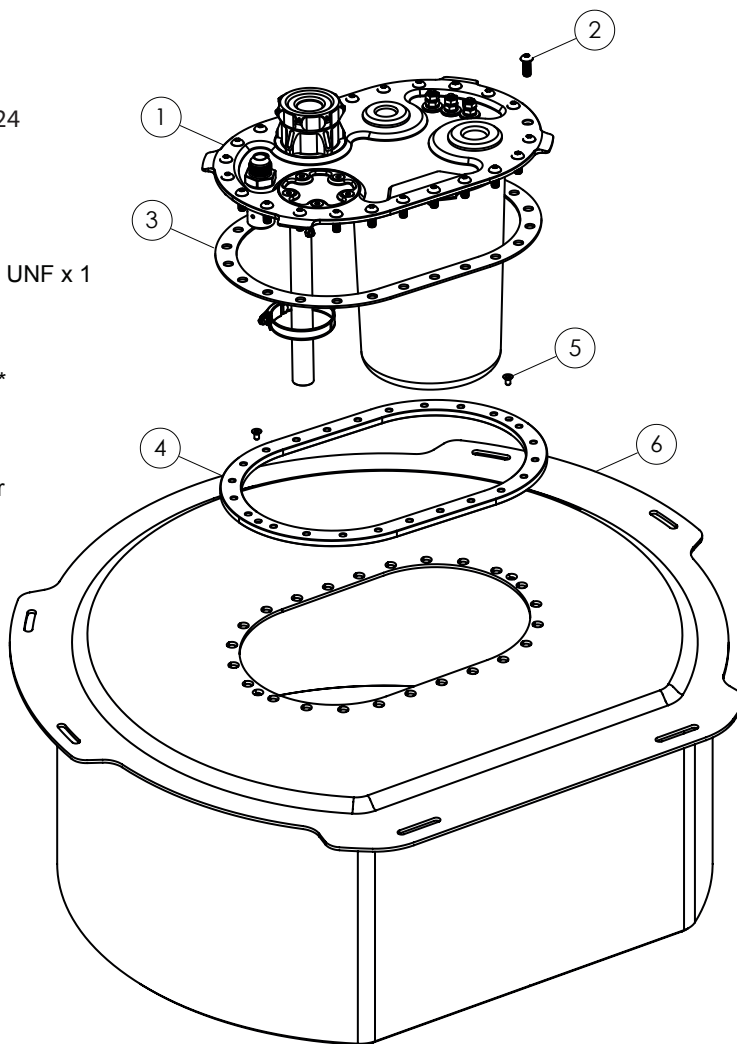
# AluCell 45 liter Wellcell

Part # 150-07-151 / 150-07-155 (brushless fuel pump version)

Assembly Instructions | © Nuke Performance AB 2024  
 For more information visit : [www.nukeperformance.com](http://www.nukeperformance.com)

- 1** CFC Unit - version depending on SKU \*  
Part # 150-05-201 / 150-05-204
- 2** 24 stainless steel bolts and nylon washers, 1/4-28 UNF x 1  
Part # 150-10-118
- 3** Viton gasket for 24 bolt pattern fuel cells  
Part # 150-05-301
- 4** Aluminum mounting flange 6x10" 24 bolt pattern \*\*  
Part # 150-05-300 / Thread size : 1/4-28 UNF x 1
- 5** 2 x MF6S M4x10
- 6** AluCell 45 liter (11.88 gallons) aluminum container

\* 150-07-061 is delivered with Low profile CFC Unit  
 150-07-161 is delivered with CFC Unit for brushless fuel pumps  
 \*\* Flange mounts from the inside of the container



## Nuke Performance AluCell 45liter specifications

For more information about specifications, visit our product page on our website.  
 Nuke Performance : [www.nukeperformance.com](http://www.nukeperformance.com)



<b>Fuel capacity</b>	45 liter (11.88 gallons)	<b>Weight</b>	10850g (23.92lb) *
<b>Fuel compatibility</b>	Gasoline, Methanol, Ethanol, E85, E100	<b>Material</b>	Corrosion resistance aluminum 5083 H111
<b>For motorsports use</b>	YES	<b>Material thickness</b>	3mm (0.12")
<b>Homologation</b>	NO	<b>Finish</b>	Powder coated externals
<b>Length</b>	528/630mm (20.79/24.80") **	<b>Level sender size</b>	228mm / 9" (150-FLS-09)
<b>Depth</b>	498/560mm (19.60/22.05") **	<b>Standard version</b>	150-07-021 / 7340209500349
<b>Height</b>	225mm (8.86")	<b>Brushless version</b>	150-07-121 / 7340209505467

\* Including the low profile CFC Unit, the brushless version weighs 320g (0.70lb) more  
 \*\* With / without the surrounding flange



INCORRECT INSTALLATION CAN CAUSE SERIOUS DAMAGE TO THE PRODUCT AND VEHICLE. AS A RESULT, ACCIDENTS, PROPERTY DAMAGE, AND PERSONAL INJURY ARE POSSIBLE. INSTALLATION MAY ONLY BE CARRIED OUT BY EXPERTS. MAKE SURE TO ALWAYS USE ALL NECESSARY SAFETY EQUIPMENT. THE MANUFACTURER IS NOT LIABLE FOR DAMAGE CAUSED BY IMPROPER INSTALLATION.



### Information:

Design combined with top quality performance.  
 For more information about the products and retailers visit [www.nukeperformance.com](http://www.nukeperformance.com)

**nuke**  
 PERFORMANCE