

# FPR90

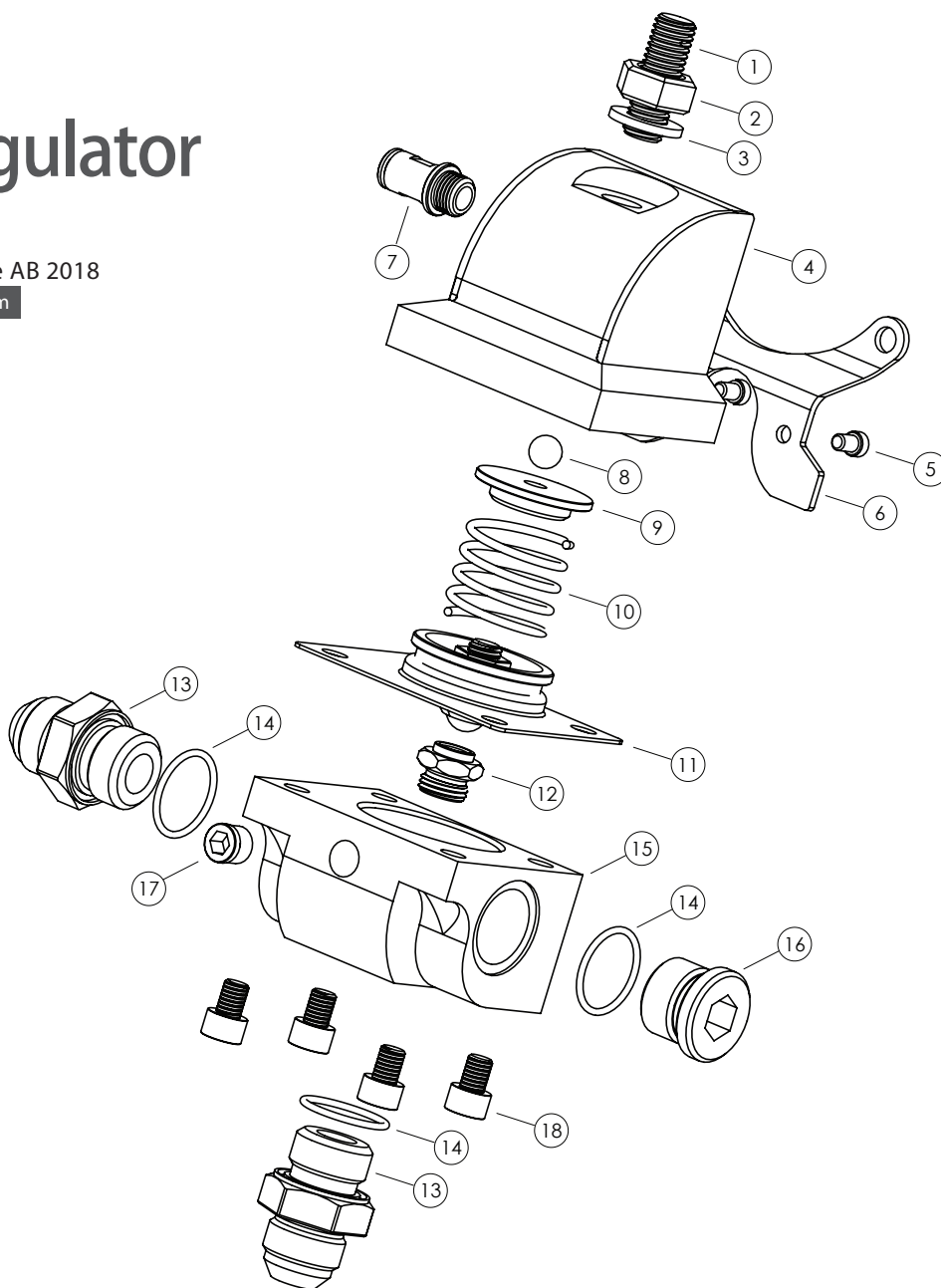
## Fuel Pressure Regulator

300-01-201

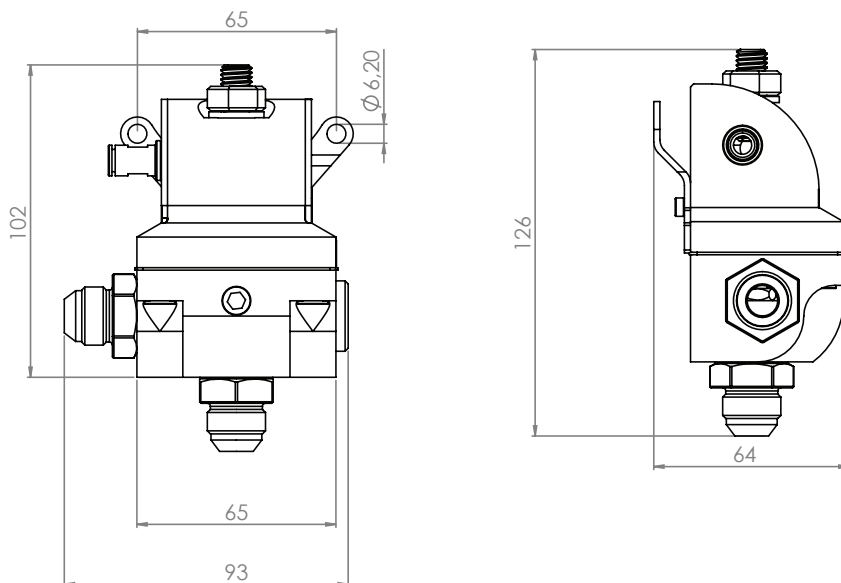
Assembly Instructions | © Nuke Performance AB 2018

For more information visit : [www.nukeperformance.com](http://www.nukeperformance.com)

- 1 Pressure Adjust M10 Stainless Steel bolt
- 2 M10 Stainless Steel nut
- 3 M10 Stainless Steel washer
- 4 Billet Regulator Top body
- 5 2 pc Stainless M4\*6 mm bolt
- 6 Stainless steel bracket
- 7 Pneufit 1/4 G for 6mm tube - 1/4 Barb is additional
- 8 Stainless Steel Ball
- 9 Top spring seat
- 10 Regulator spring
- 11 Membrane
- 12 Ball seat
- 13 3 / 4 UNF AN-8 Fitting
- 14 Viton O-Ring 19,1 \* 1,6 mm
- 15 Billet Regulator Bottom body
- 16 3 / 4 UNF Plug
- 17 1/8" NPT plug
- 18 4pc Stainless Steel M6\*10 mm bolt



## MEASUREMENTS



## Information:

Design combined with top quality performance.  
For more information about the products and retailers visit  
[www.nukeperformance.com](http://www.nukeperformance.com)