

Catch Can

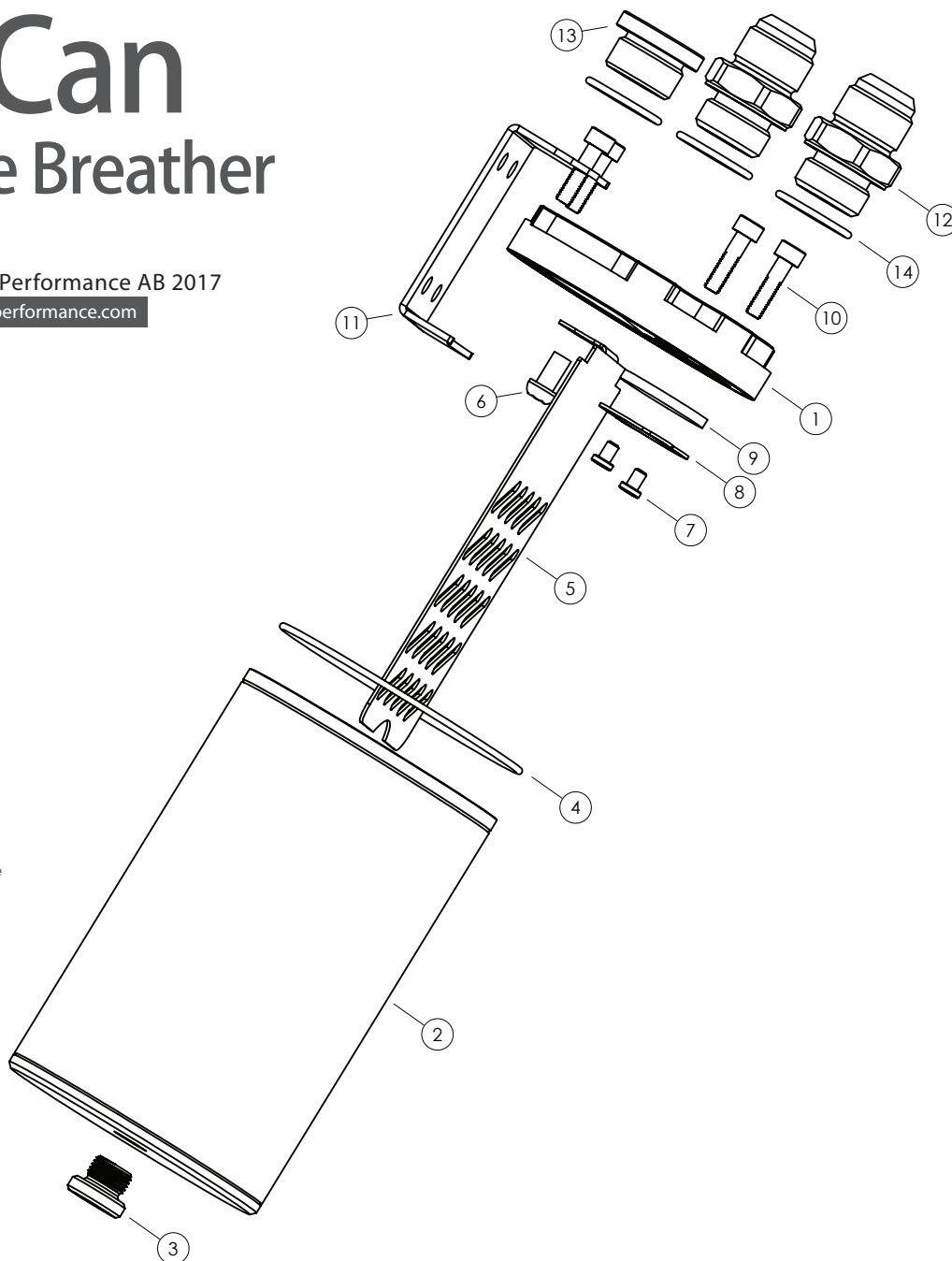
Performance Breather

265-01-201

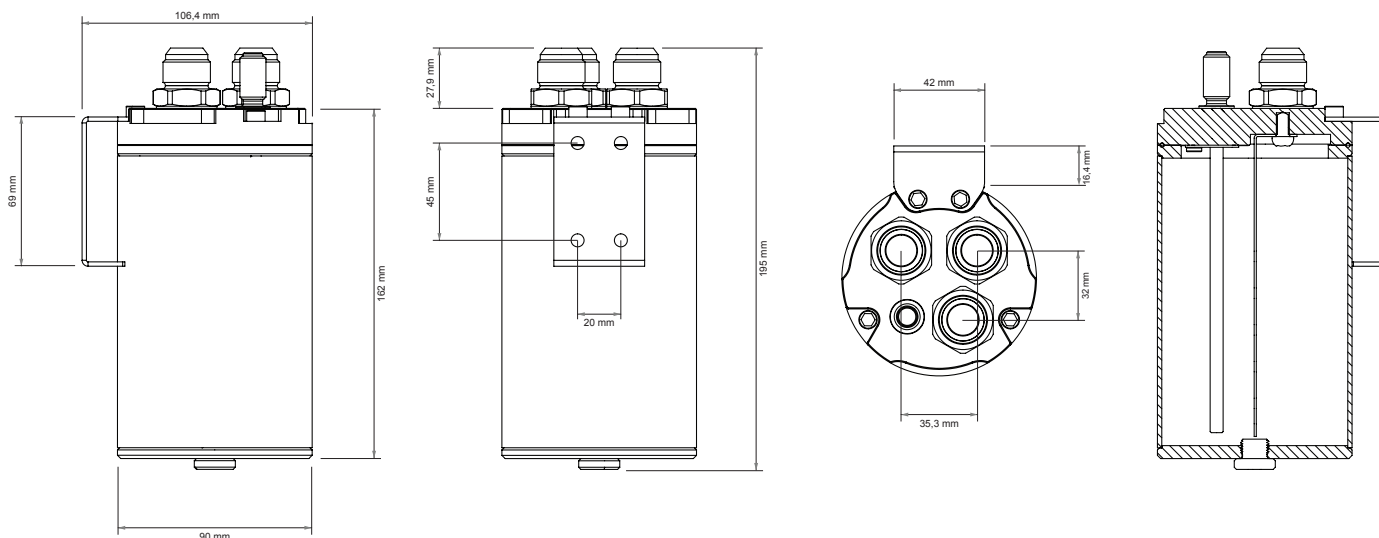
Assembly Instructions | © Nuke Performance AB 2017

For more information visit : www.nukeperformance.com

- 1 Billet Top Lid
- 2 Housing 0.75 liter
- 3 1/4 G Plug
- 4 Viton O-Ring 84*2mm
- 5 Stainless Steel Baffeling
- 6 Stainless Steel K6S M6*8mm
- 7 Stainless Steel M4*6mm Screw 2pc
- 8 Stainless Steel Filter Disc Bracket
- 9 100micron Stainless Steel Filter Disc
- 10 Stainless Steel M5*20mm 4pc
- 11 Stainless Steel Mounting Bracket
- 12 7/8-14 UNF AN-10 Fitting 2-3pc
- 13 7/8-14 UNF Outlet Fitting
Included optional fitting for atmospheric use
- 14 Viton O-Ring 22,1*2mm 3pc



MEASUREMENTS



Information:

Design combined with top quality performance.
For more information about the products and retailers visit
www.nukeperformance.com