

# Catch Can

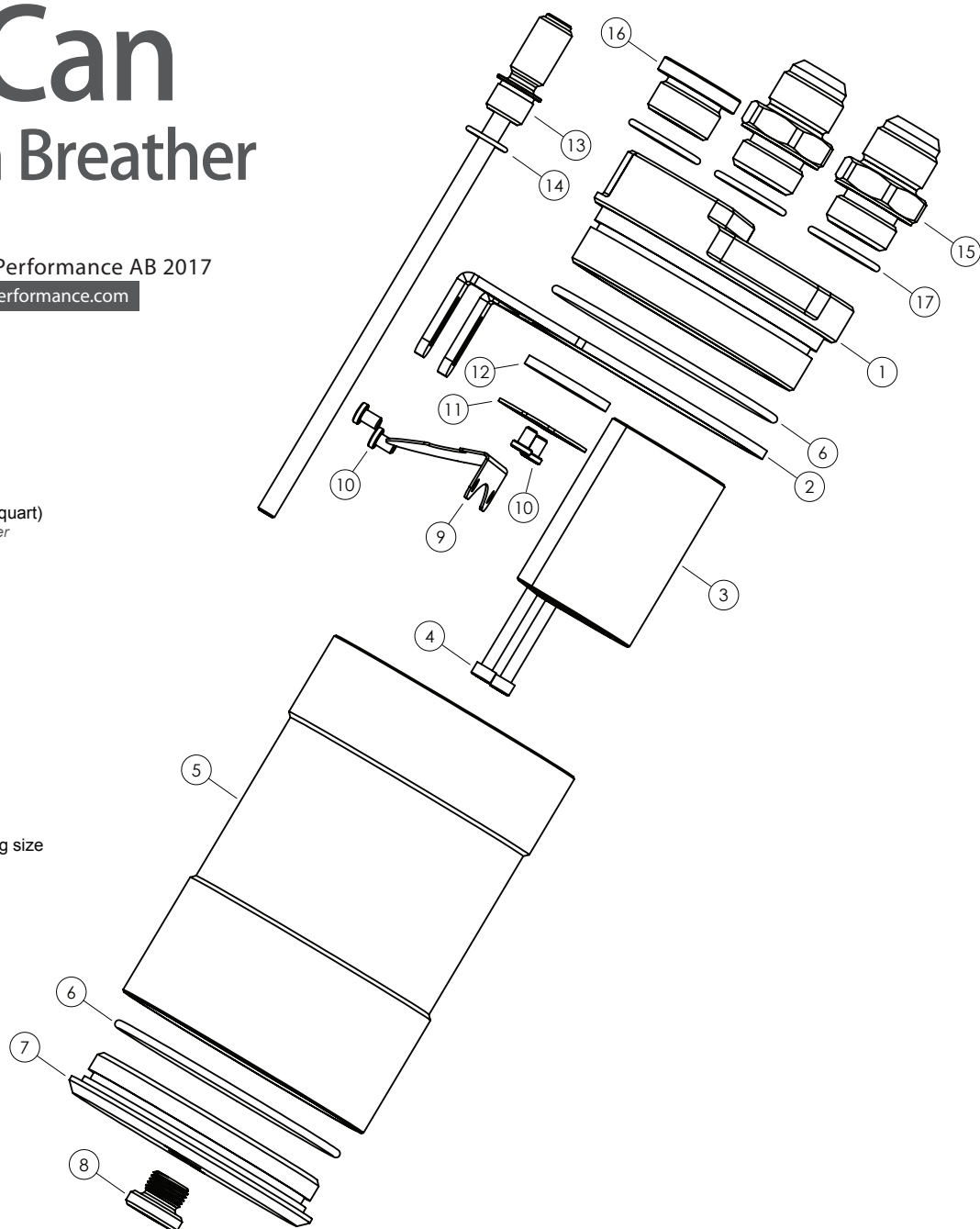
## Competition Breather

260-01-201 / 260-01-202

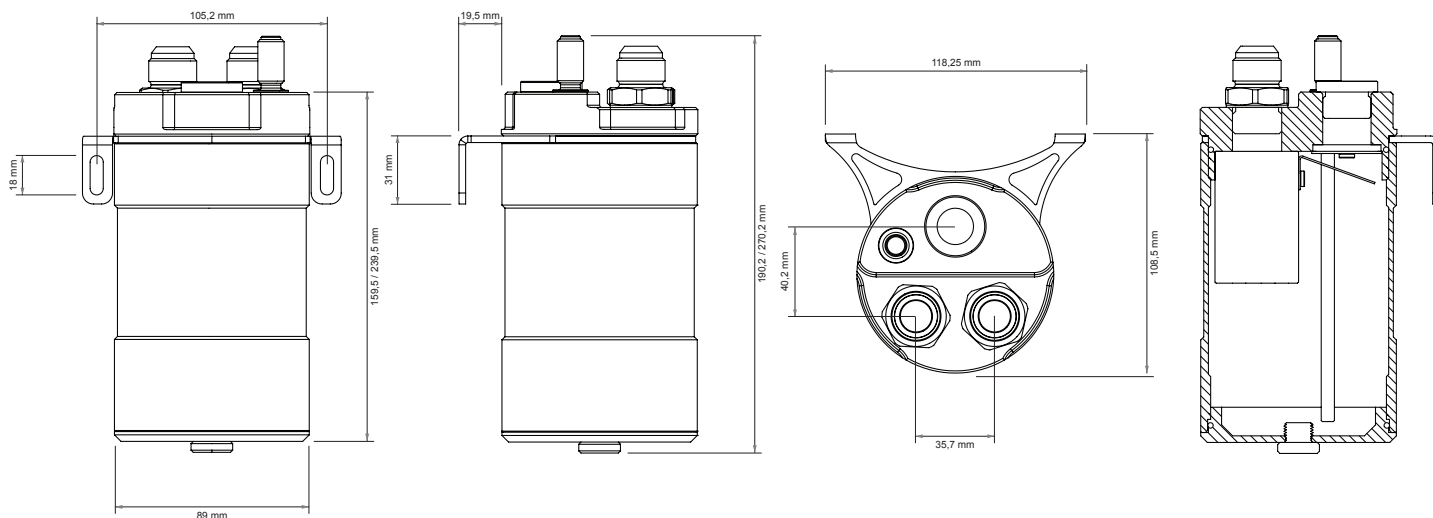
Assembly Instructions | © Nuke Performance AB 2017

For more information visit : [www.nukeperformance.com](http://www.nukeperformance.com)

- 1** Billet Top Lid
- 2** Stainless Steel Mounting Bracket
- 3** Filter Media Unit
- 4** Stainless Steel M4\*60mm Screw 2pc
- 5** Billet Housing 0,5 liter / 1,0 liter (1,06 quart)  
*Short housing 0,5 liter / Long housing 1,0 liter*
- 6** Viton O-Ring 78\*2,56mm 2pc
- 7** Billet Bottom Lid
- 8** 1/4 G Plug
- 9** Stainless Steel Swash Plate
- 10** Stainless Steel M4\*6mm Screw 4pc
- 11** Stainless Steel Filter Disc Bracket
- 12** 100micron Stainless Steel Filter Disc
- 13** Dipstick - length depending on housing size
- 14** Viton O-Ring 12\*1,5mm
- 15** 7/8-14 UNF AN-10 Fitting 2-3pc
- 16** 7/8-14 UNF Outlet Fitting  
*Included optional fitting for atmospheric use*
- 17** Viton O-Ring 22,1\*2mm 3pc



### MEASUREMENTS



### Information:

Design combined with top quality performance.  
For more information about the products and retailers visit  
[www.nukeperformance.com](http://www.nukeperformance.com)

**nuke**  
PERFORMANCE