

# Fuel Filter : PF200

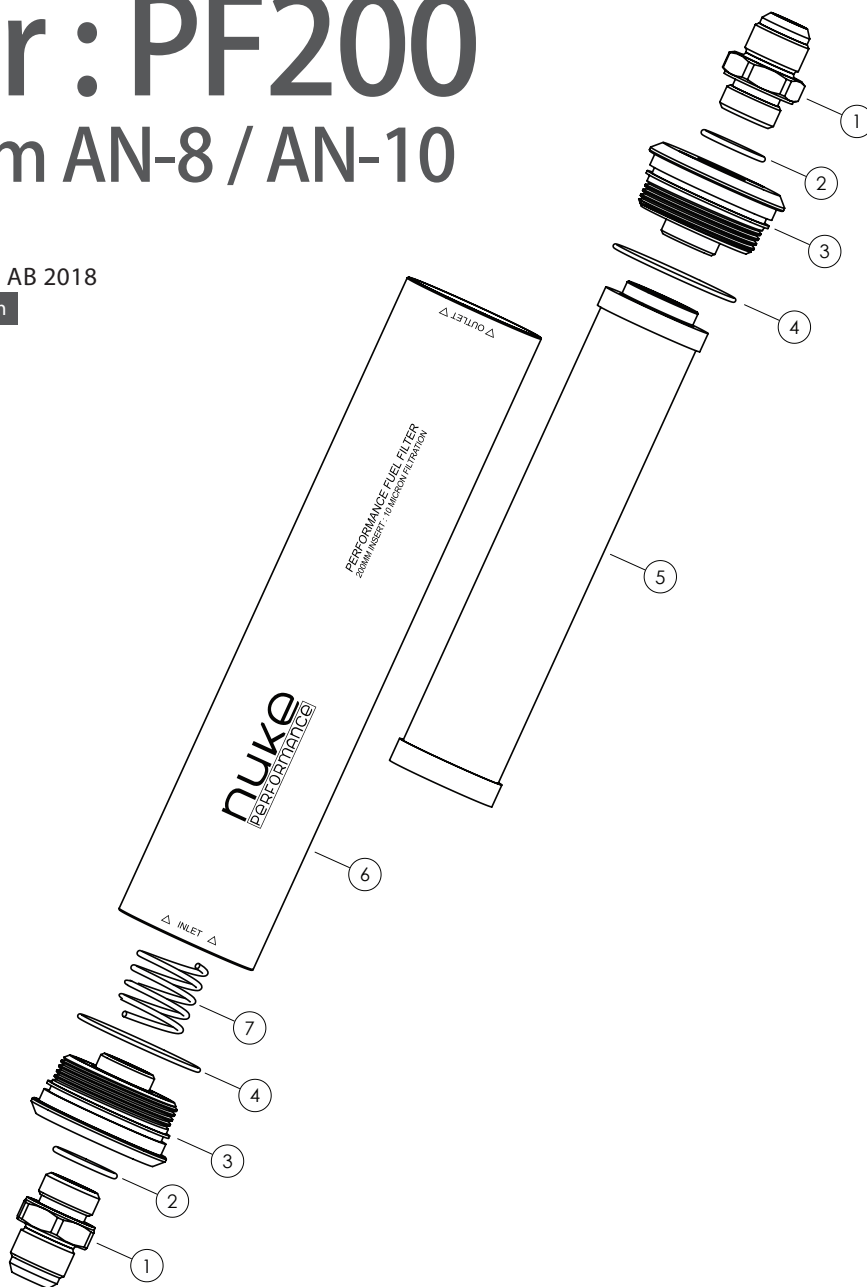
## Fuel Filter 200 mm AN-8 / AN-10

200-03-201 / 200-03-202

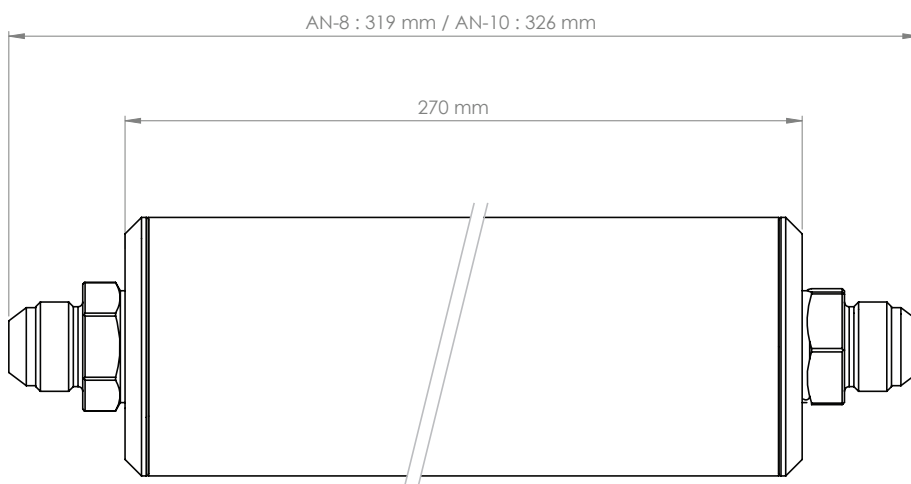
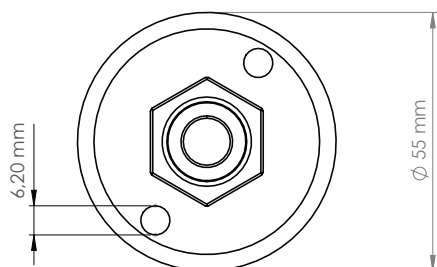
Assembly Instructions | © Nuke Performance AB 2018

For more information visit : [www.nukeperformance.com](http://www.nukeperformance.com)

- 1 Fitting AN-8 3 / 4 UNF / AN-10 7 / 8 UNF
- 2 Viton O-Ring AN-8 19,1 \* 1,6 mm / AN-10 22,1\*2mm
- 3 Billet End Cap with 3 / 4 UNF / 7 / 8 UNF thread
- 4 Viton O-ring 44,6 \* 2,4 mm for end cap
- 5 200mm 10 mic Filter Element  
*Replaceable / Cleanable filter element*
- 6 Billet filter body
- 7 Internal Spring



### MEASUREMENTS



### Information:

Design combined with top quality performance.  
For more information about the products and retailers visit  
[www.nukeperformance.com](http://www.nukeperformance.com)

**nuke**  
PERFORMANCE