

# Fuel Filter Slim

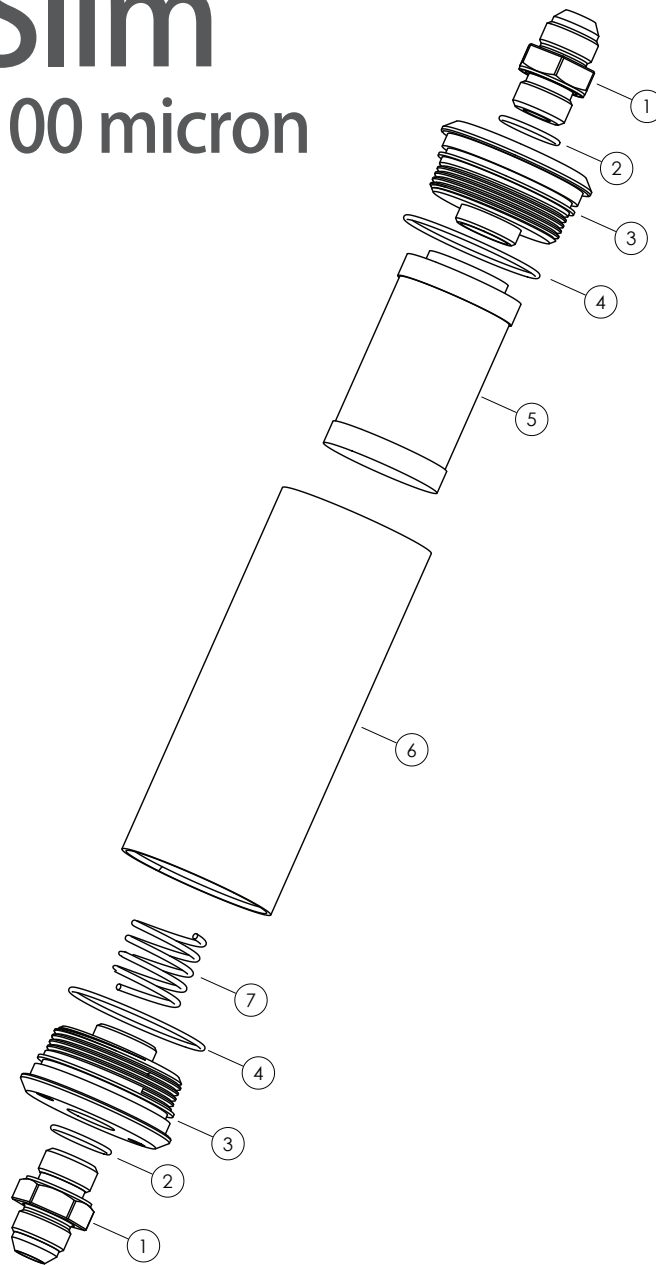
## Fuel Filter Slim 10 / 100 micron

200-02-201 / 200-02-202

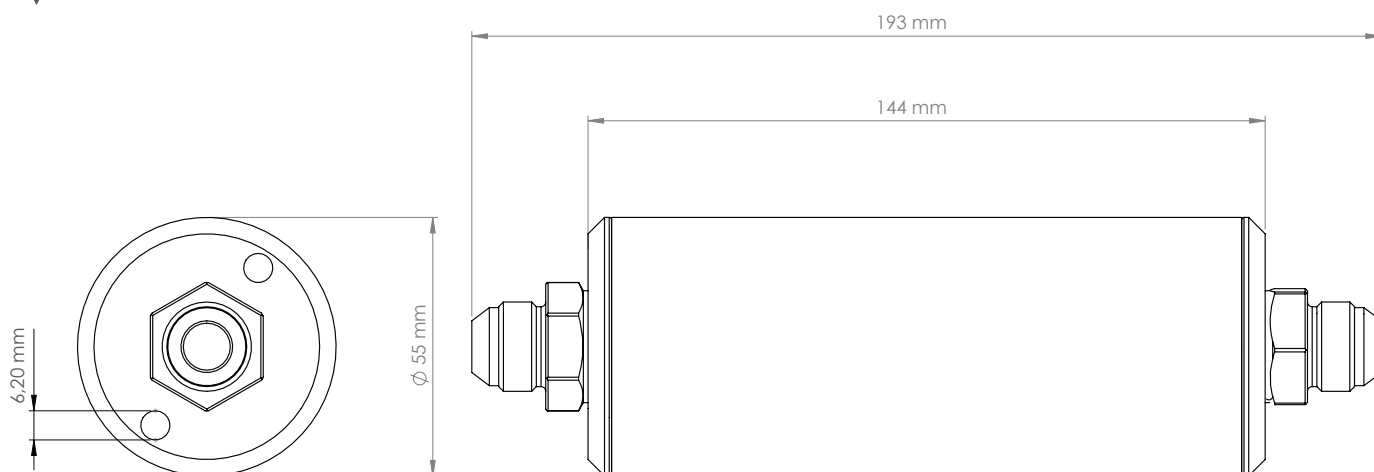
Assembly Instructions | © Nuke Performance AB 2018

For more information visit : [www.nukeperformance.com](http://www.nukeperformance.com)

- 1** 3 / 4 UNF- AN8 Fitting
- 2** Viton O-Ring 19,1 \* 1,6 mm
- 3** Billet End Cap with 3 / 4 UNF thread
- 4** Viton O-ring 44,6 \* 2,4 mm for end cap
- 5** 10 / 100 mic Filter Element  
*Replaceable / Cleanable filter element*
- 6** Billet filter body
- 7** Internal Spring



### MEASUREMENTS



### Information:

Design combined with top quality performance.  
For more information about the products and retailers visit  
[www.nukeperformance.com](http://www.nukeperformance.com)

**nuke**  
PERFORMANCE