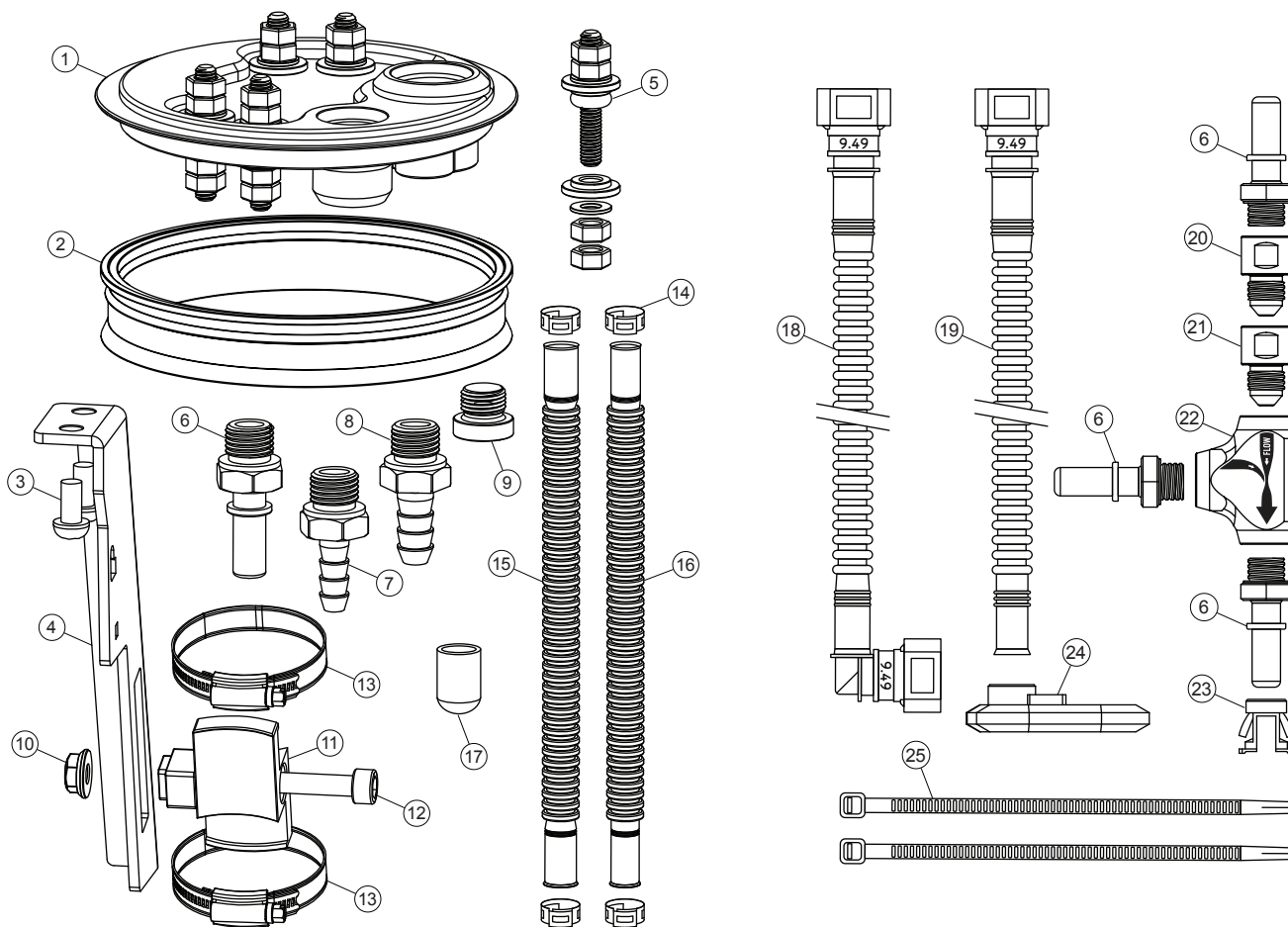


BMW E36 Fuel Pump Hanger

Part # 170-02-101 EAN # 7340209512601

BMW E36 Fuel Pump Hanger, Assembly / Spare parts list

© Nuke Performance AB 2026 | For more information about specifications, visit our product page on our website www.nukeperformance.com.



NO.	Spare part #	Description
1	N/A	1x Fuel pump hanger lid BMW E36, LH
2	N/A	2x Top lid rubber gasket - for both LH and RH lid
3	100-10-209	2x K6S M6x12 stainless steel bolts
4	N/A	1x Stainless steel bracket BMW E36, LH
5	150-10-105	5x M6 Bolt electrical connector
6	150-20-424	4x AN-6 ORB to SAE 9.49 Male fittings
7	300-10-110	2x 1/4 BSPP to Barb 8mm Male fittings *
8	300-10-139	2x 1/4 BSPP to Barb 10mm Male fittings *
9	700-01-106	1x 1/4 BSPP Plug
10	100-10-223	1x LM6MF M6 stainless steel flanged lock nut
11	1700-10-004	1x Aluminum dual OD 39mm fuel pump bracket
12	150-10-102	1x MC6S M6x35 stainless steel bolt
13	N/A	2x Stainless steel hose clamps, 44-56mm

NO.	Spare part #	Description
14	1500-20-101	4x Single ear hose clamp
15	150-20-318	2x SAE in-tank fuel hose Ø10mm 250mm *
16	150-20-317	2x SAE in-tank fuel hose Ø8mm 250mm *
17	150-21-403	1x Silicon protective cap for barb fitting
18	150-20-315	1x SAE in-tank fuel hose assembly 9.49 400mm
19	150-20-316	1x SAE in-tank fuel hose assembly 9.49 1000mm
20	1700-20-102	1x Venturi adapter, return line standard flow **
21	1700-20-103	1x Venturi adapter, return line high flow **
22	1700-20-001	1x Venturi jet pump adapter, AN-6
23	150-21-402	1x SAE 9.49 plastic insert
24	9-900-105	1x Fuel filter, for venturi pick up
25	N/A	2x Zip tie 150x3.5mm

* Hose and fittings for both 8 mm and 10 mm outlet fuel pumps are included. Simply use the components required for your specific fuel pump setup.

** Use the correct orifice adapter as specified in the installation manual. The required adapter depends on your fuel pump setup and ensures optimal venturi performance.

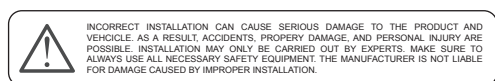
BMW E36 Fuel Pump Hanger specifications

For more information about specifications, visit our product page on our website.

Nuke Performance : www.nukeperformance.com



Compatibility	BMW E36 1990 - 1999	Fuel pump compatibility	1 or 2 x 39mm outer diameter fuel pumps
Electrical connectors	x 5 (max 125 ampere / each)	Venturi/saddle tank function	YES, includes upgraded venturi jet pump
Level sender compatibility	Reuses OEM LH / RH level senders	Outlet port, thread	AN-10 ORB (no fitting included)
Vent port / Filler hose	Uses OEM fuel tank vent / filler function	Return port, thread	AN-8 ORB (no fitting included)
For motorsports use	YES, for motorsports use only	Part # / EAN	170-02-101 / 7340209512601



Information:

Design combined with top quality performance.
For more information about the products and retailers visit www.nukeperformance.com

