

Oil Catch Can

0.5 / 1.0 liter

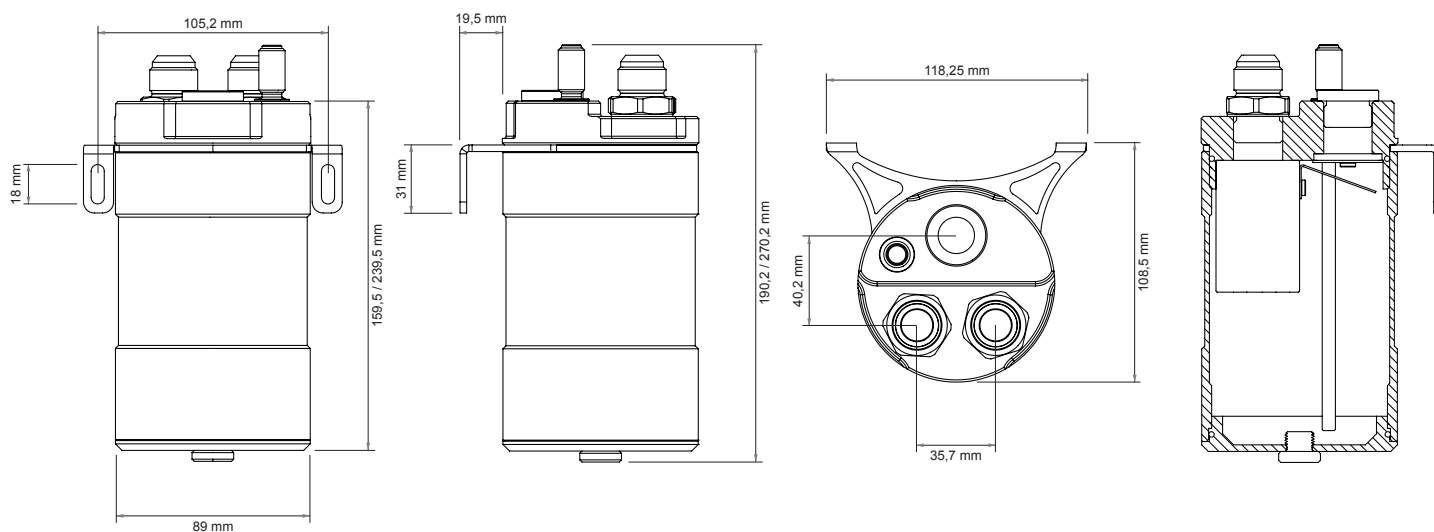
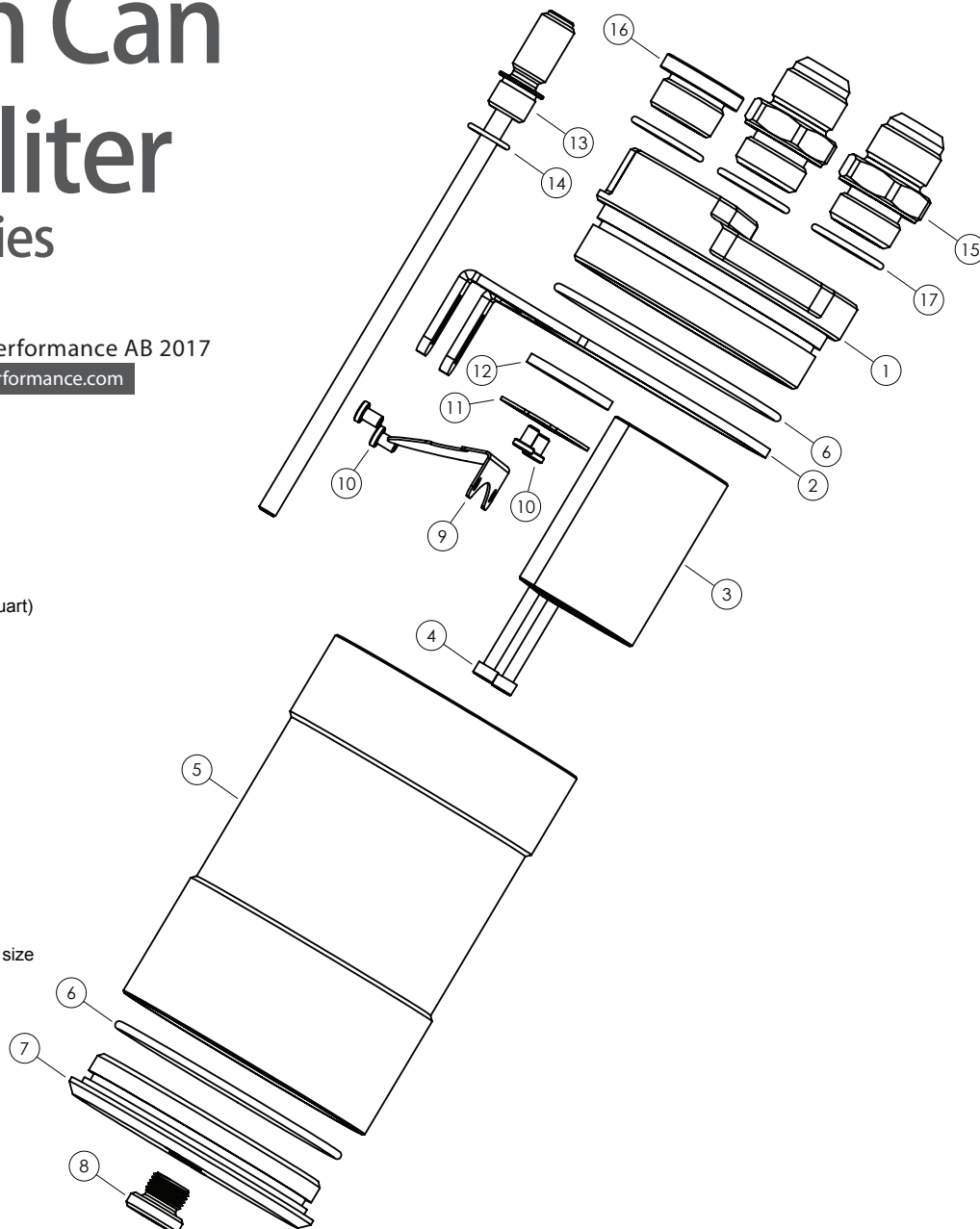
Competition Series

260-01-201 / 260-01-202

Assembly Instructions | © Nuke Performance AB 2017

For more information visit : www.nukeperformance.com

- 1** Billet Top Lid
- 2** Stainless Steel Mounting Bracket
- 3** Internal Billet Filter Unit
- 4** Stainless Steel M4*60mm Screw 2pc
- 5** Billet Housing 0,5 liter / 1,0 liter (1,06 quart)
Short housing 0,5 liter / Long housing 1,0 liter
- 6** Viton O-Ring 78*2,56mm 2pc
- 7** Billet Bottom Lid
- 8** 1/4 G Plug
- 9** Stainless Steel Swash Plate
- 10** Stainless Steel M4*6mm Screw 4pc
- 11** Stainless Steel Filter Disc Bracket
- 12** 300-micron Stainless Steel Filter Disc
- 13** Dipstick - length depending on housing size
- 14** Viton O-Ring 12*1,5mm
- 15** AN-10 to AN-10 Male Fittings
- 16** AN-10 to Atmospheric Fitting
Included optional fitting for atmospheric use
- 17** Viton O-Ring 22,1*2mm 3pc



Information:

Design combined with top quality performance.
For more information about the products and retailers visit
www.nukeperformance.com