

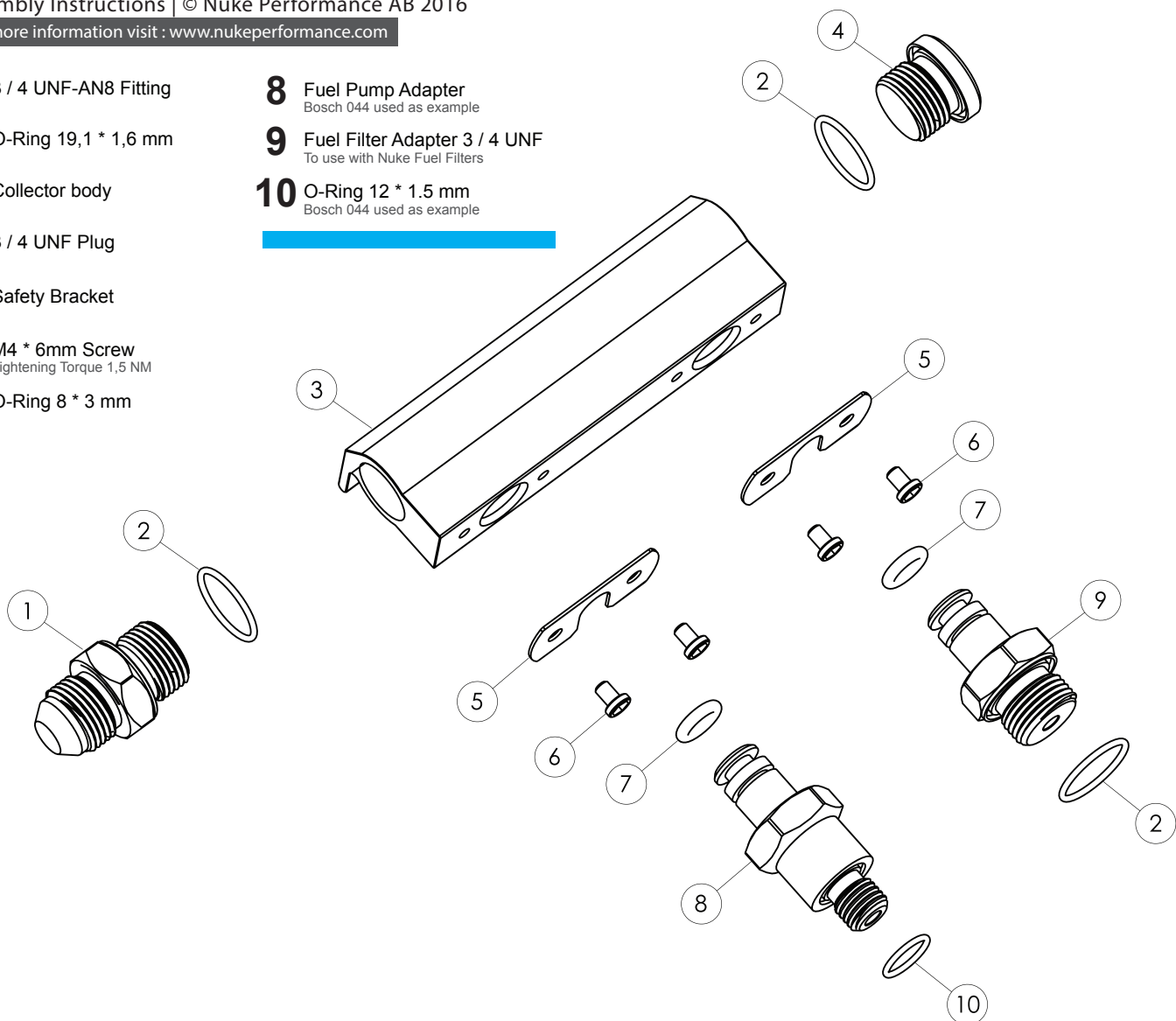
Fuel Log Collector 4P

Assembly Instructions | © Nuke Performance AB 2016

For more information visit : www.nukeperformance.com

- 1** 3 / 4 UNF-AN8 Fitting
- 2** O-Ring 19,1 * 1,6 mm
- 3** Collector body
- 4** 3 / 4 UNF Plug
- 5** Safety Bracket
- 6** M4 * 6mm Screw
Tightening Torque 1,5 NM
- 7** O-Ring 8 * 3 mm

- 8** Fuel Pump Adapter
Bosch 044 used as example
- 9** Fuel Filter Adapter 3 / 4 UNF
To use with Nuke Fuel Filters
- 10** O-Ring 12 * 1.5 mm
Bosch 044 used as example



PRODUCT INFO

To effectively as possible accommodate all functions of a developed fuel system setup without compromising.

Our Fuel Log is developed to handle dual fuel pumps, dual Nuke Performance fuel filters or in combination with one fuel filter and one fuel pump. Designed to work perfect with our Universal Bracket. Makes a solution you can rely on in any situation.

The 4 port solution also gives you the ability to make any setup you may possibly need. The two main inlet ports located on the long side are delivered with our unique brackets that make sure all connection will be reliable even when an accident would occur.

Designed to stand up to the destructive properties of alcohol fuels, including methanol and ethanol.

The perfect addition to use with our Fuel Surge Tank kits.


TECH. INFO

CNC manufactured from aluminium alloy 6063. Stainless steel bolts for long lasting.

Anodized for long lasting performance and finish. Lazer engraved logo.

Delivered with AN-8 fittings. 3/4 UNF Ports, available to AN-10, -8 or -6 line.

Delivered with all fittings needed for selected setup.

	Height 36 mm	Width 144 mm	Depth 33 mm
	Incl Fittings 229 g	Ex Fittings 130 g	

* All measurements including the supplied fittings.



Information:

Design combined with top quality performance. For more information about the products and retailers visit www.nukeperformance.com

