

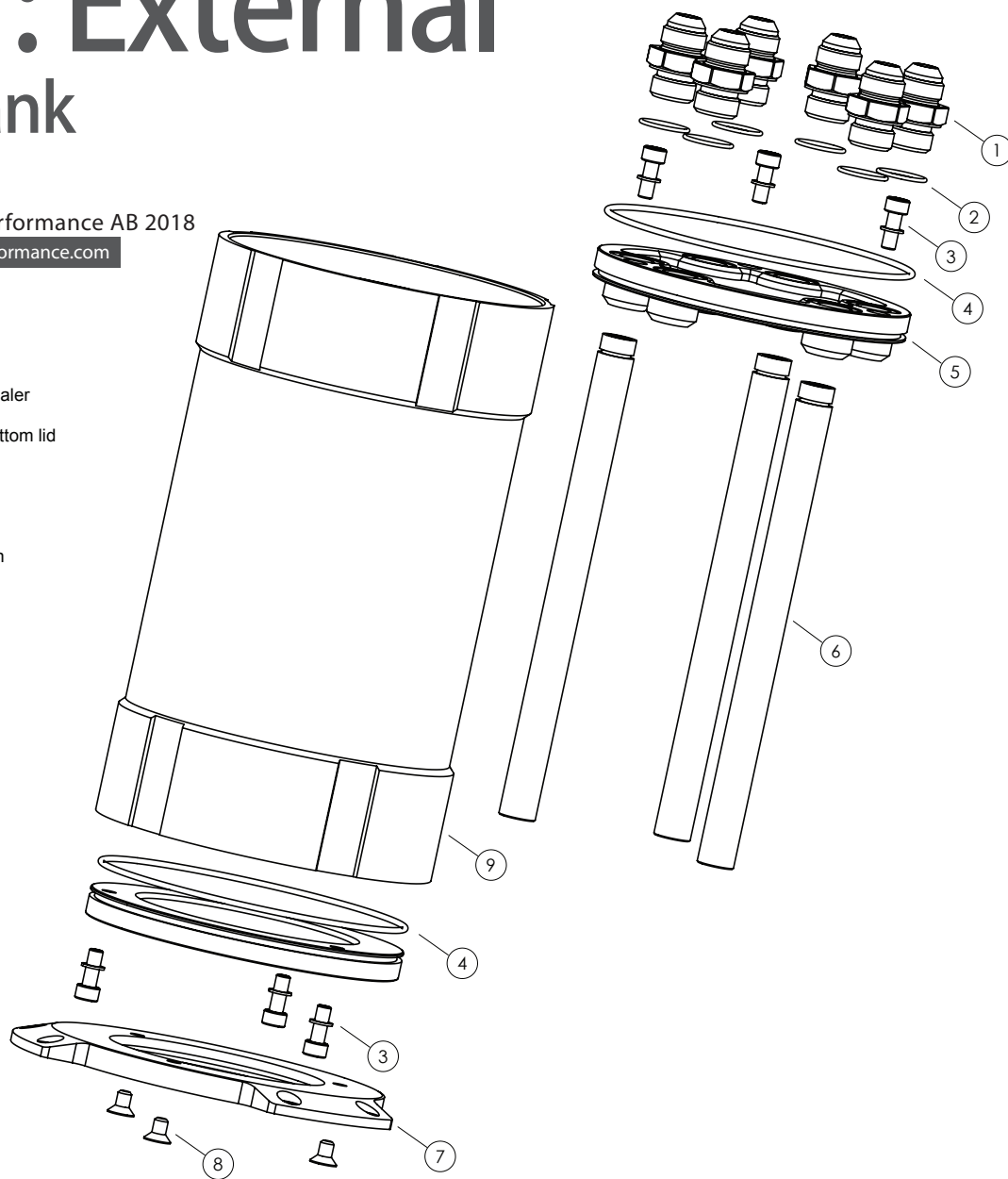
2G FST : External Fuel Surge Tank

150-01-204 / 150-01-205

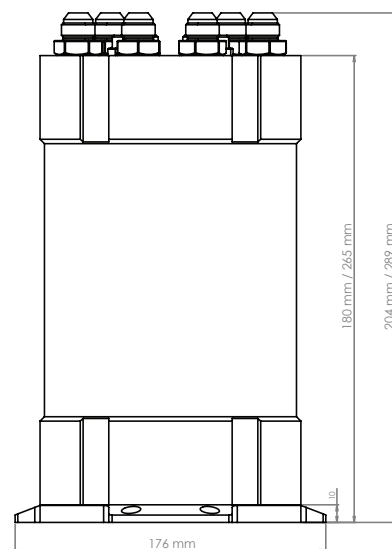
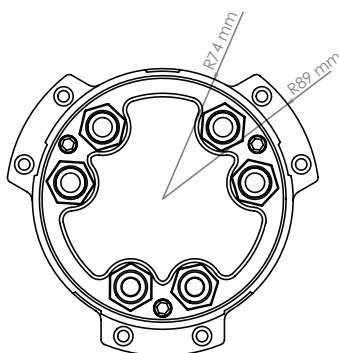
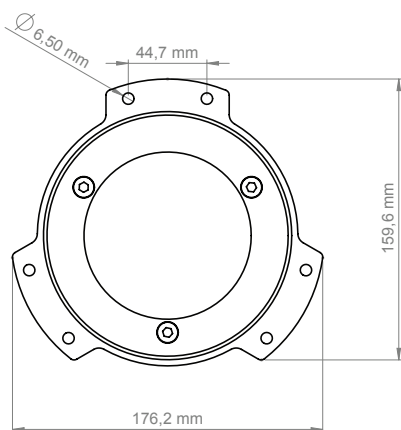
Assembly Instructions | © Nuke Performance AB 2018

For more information visit : www.nukeperformance.com

- 1 6pc 3 / 4 UNF- AN8 Fitting
- 2 6pc Viton O-Ring 19,1 * 1,6 mm
- 3 6pc Stainless M6 * 16 mm Screw with sealer
- 4 Viton O-ring 134 * 2,5 mm for top and bottom lid
- 5 Billet Top Lid - for external fuel pumps
- 6 3pc Pickup Pipe
- 7 Billet mounting bracket with 6 bolt pattern
Fits all Nuke Performance FST, including 1G
- 8 3pc Stainless M6 * 6 mm Screw
- 9 Billet FST 3.0 liter housing



MEASUREMENTS



Information:

Design combined with top quality performance.
For more information about the products and retailers visit
www.nukeperformance.com

nuke
PERFORMANCE